

BALDOR • RELIANCE

Customer information packet

380WCT

.33/.17HP, 3450/1725RPM, 1PH, 60HZ, 3528L

Specifications

Frequency	60.00 Hz
Nameplate Output	.33/.17
Number of Poles	2
	4
Phase	1
Product Style	DENTAL LATHE
Speed	1725 rpm
	3450 rpm
Voltage	115 V

Part detail

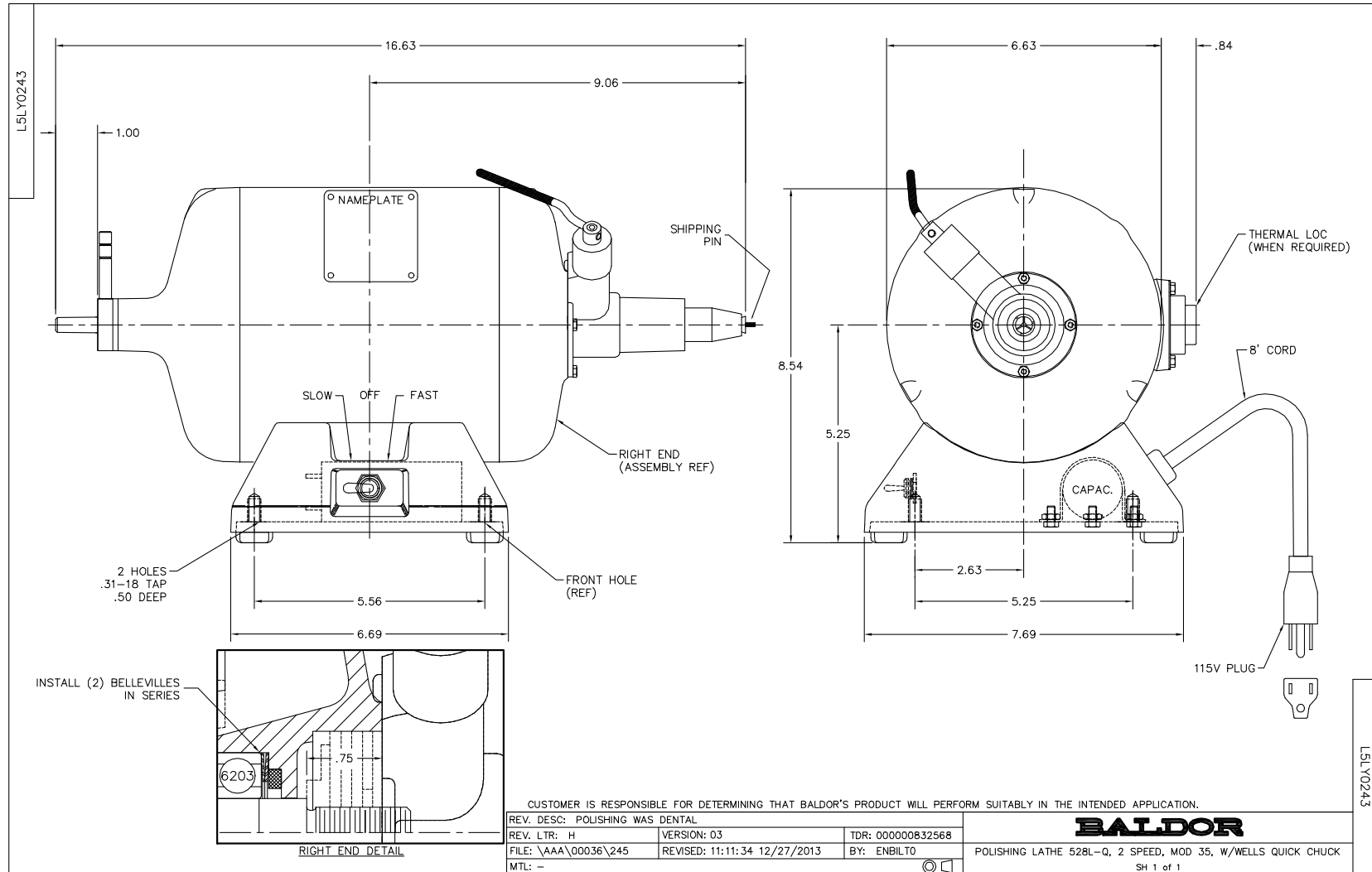
Revision	AU
Type	AC
Mech. spec.	L35-243
Base	
Status	PRD/A
Elec. spec.	L5WG0160
Layout	L5LY0243
Eff. date	12-15-2021
CD Diagram	CD0349
Poles	02/04
Leads	3#18
Proprietary	False
Created date	01-01-0001

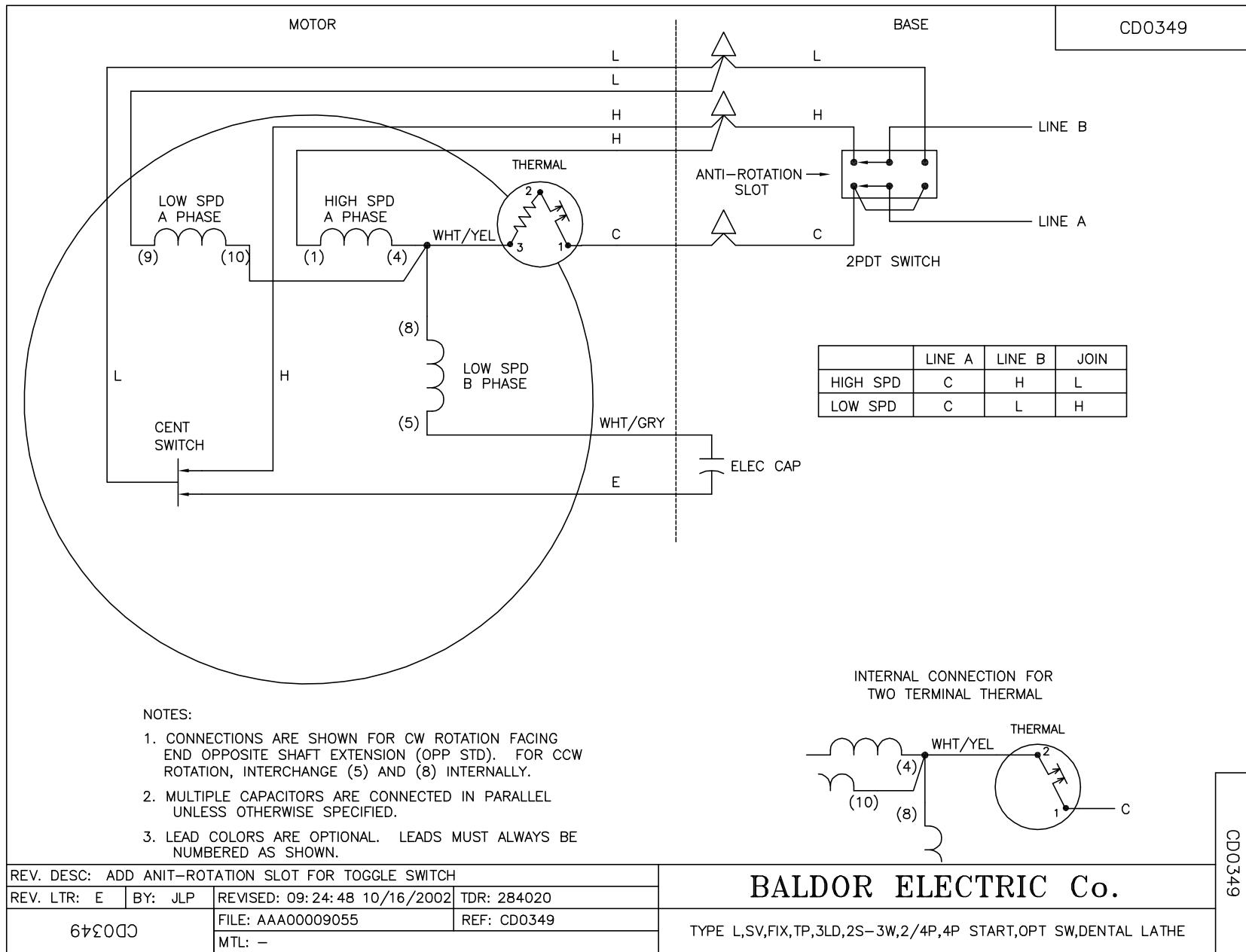
Nameplate

NP3356L			
CAT.NO.	380WCT		
SPEC.	L35-243-160		
HP	.33/.17		
VOLTS	115		
PHASE	1	AMPS	3.3/2.1
CYCLE	60		
RPM	3450/1725		
CL	F		
RATING	40C AMB-CONT		
SERIAL			

Accessories

Part number	Description	Multiplier
L3	DR-3545 LH HD WHEEL CHUCK	A8
L4	DR-3547B L4 LH SF WHEEL CHUCK	A8





REV. DESC: ADD ANIT-ROTATION SLOT FOR TOGGLE SWITCH			
REV. LTR: E	BY: JLP	REVISED: 09:24:48 10/16/2002	TDR: 284020
670049		FILE: AAA00009055	REF: CD0349
		MTL: -	

BALDOR ELECTRIC Co.

TYPE L,SV,FIX,TP,3LD,2S-3W,2/4P,4P START,OPT SW,DENTAL LATHE

CD0349